

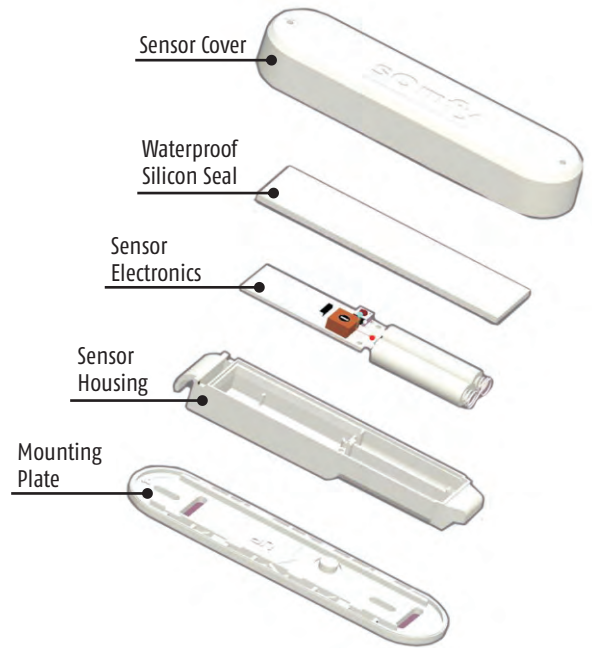
SOMFY INSTRUCTIONS

EOLIS 3D WIREFREE™

RTS WIND SENSORS

Part #'s
 1816081 Eolis 3D WireFree™ RTS Wind Sensor (white)
 1816082 Eolis 3D WireFree™ RTS Wind Sensor (off white)
 1816083 Eolis 3D WireFree™ RTS Wind Sensor (black)

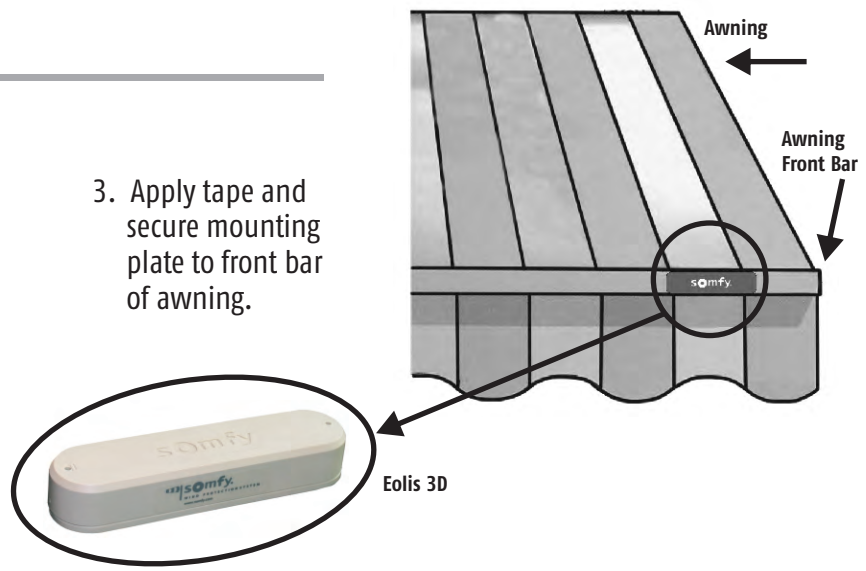
The Eolis 3D WireFree RTS wind sensor detects horizontal, vertical, and lateral movements. When preset threshold is exceeded, awnings retract.



BEFORE YOU BEGIN

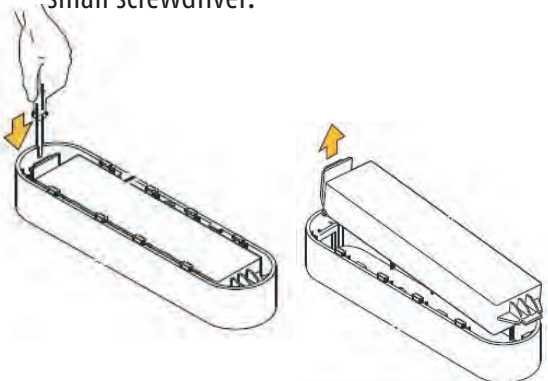
1. Make sure the "DOWN" button on the remote extends the awning.
2. Clear awning of any debris and make sure surface of awning is clean.

3. Apply tape and secure mounting plate to front bar of awning.

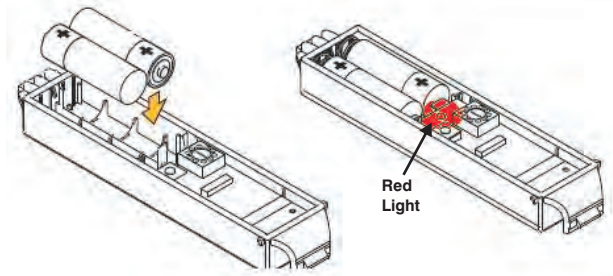


ADDING BATTERIES

1. Remove the sensor housing using a small screwdriver.

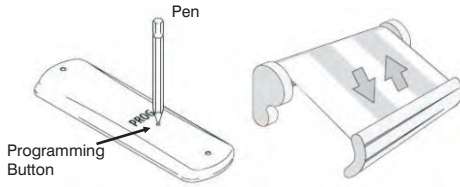


2. Install 2AAA alkaline batteries (included). Make sure the red light blinks. If red light does not blink, check batteries for correct polarity.

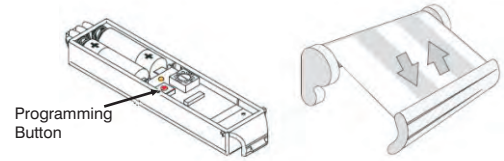


PROGRAMMING

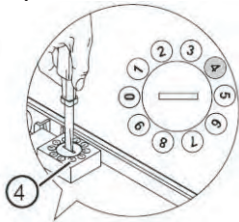
1. Press the Programming Button on the back of the remote until the awning jogs.



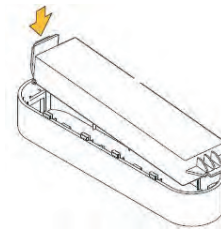
2. Press the Programming Button on the Eolis sensor until the awning jogs.



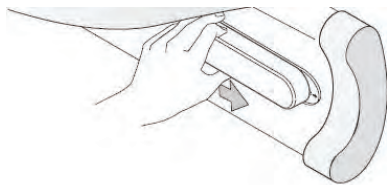
3. Adjust the sensor dial to (4). (1= Most sensitive, 9= Least sensitive)



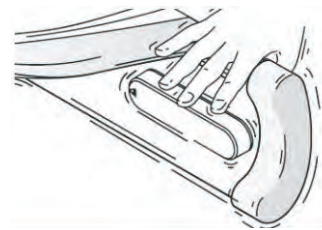
4. Put the sensor electronics back in the housing.



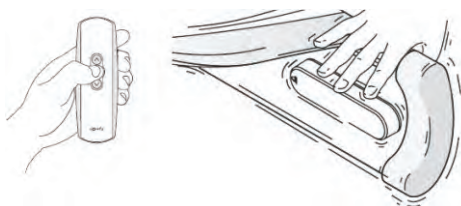
5. Slide the housing back on the mounting plate.



6. Test the sensor by pushing up and down on the awning front bar or arm until it begins to retract. You can use the remote to stop the awning after 5 seconds (first test mode).



7. Bring it back out and test it again. You can use the remote to stop the awning after 5 seconds (second test mode).



8. Make adjustments to the sensitivity if needed and test it again.

**NOTE: IF PROFESSIONAL PROGRAMMING ASSISTANCE IS REQUIRED.
PLEASE CONTACT SOMFY AT somfytech@somfy.com OR YOUR LOCAL DEALER
AT www.somfysystems.com/locatedealer.**